



Contact Us



+44 20 8144 2021



info@t4i.co.uk



Advanced Technology
Innovation Centre

Loughborough University Science
and Enterprise Park

5 Oakwood Drive, Loughborough
Leicestershire, LE11 3QF
United Kingdom



Who we are

T4i engineering Ltd provides services and solutions in the areas of chemical detection, specialised electronic design and materials science.

Company core innovation is the design of modular, miniaturised and adaptive detectors. We are a group of engineers and experts with experience in electronics design and materials science. We exploit the power of advanced design, miniaturisation and prototyping for delivery state-of-the-art solutions.

T4i engineering Ltd

www.t4i.co.uk

www.t4i.co.uk

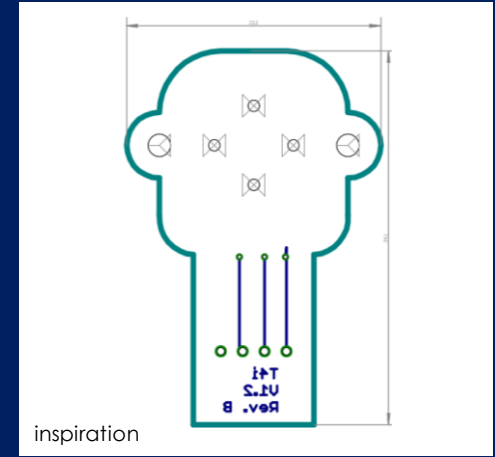


© 2019 T4i Engineering Ltd

Electronic boards design

T4i engineering provide electronics design services based on our experience in embedded electronics, incorporating a variety of transducers, interface communication protocols (USB, WiFi, RS232, IrDA, SPI etc.) and microcontrollers (Microchip, Renesas, ST, Atmel etc).

Our team of engineers specialises in hybrid systems that fuse electronics and miniature low power pneumatic components (Lee, Parker, Gardner Denver Thomas, ASCO, SMC etc.) as well as chemical or other sensors.



© 2019 T4i Engineering Ltd

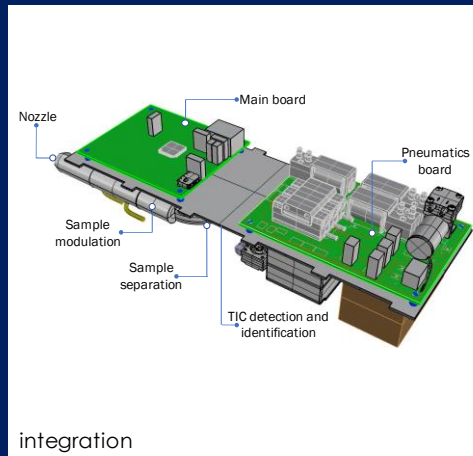
Prototypes integration

We adapt our prototypes for use in different detection platforms for enhancing monitoring capabilities in DIM operations and industrial inspections.

T4i DOVER™: Versatile, robust, miniaturised, IoT-by-design chemical detector for mounting on-board robotics and UAVs.

T4i SMS: Fast, credible, robust, dynamic, miniaturised sampling system and fast, LTM Gas Chromatography in one unit.

Ideal miniaturised front-end for Photoionisation Detectors, Ion Mobility Spectrometers and Mass Spectrometers. Unique add-on for detector manufacturers (OEMs).



integration

© 2019 T4i Engineering Ltd

Materials science R&D

T4i engineering carry out R&D technical projects in the area of materials and specifically, polymers performance and weathering.

We have experience in testing and enhancing specifications of materials for specific applications.

T4i engineering have experience that ensures high quality project management and risk analysis for R&D projects